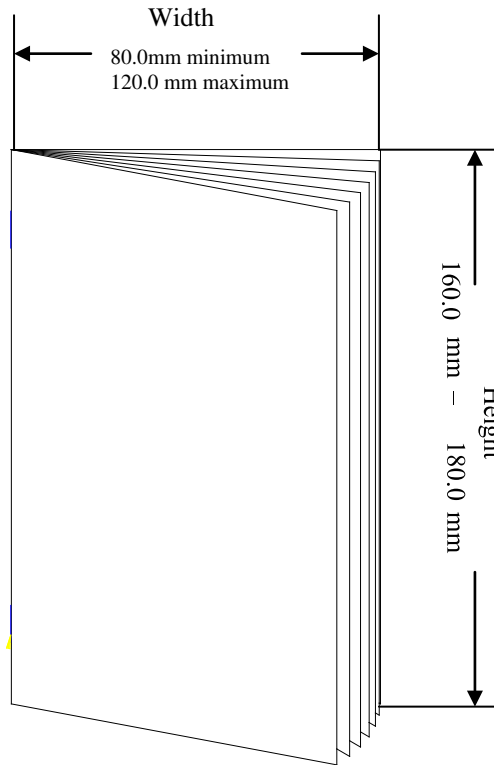


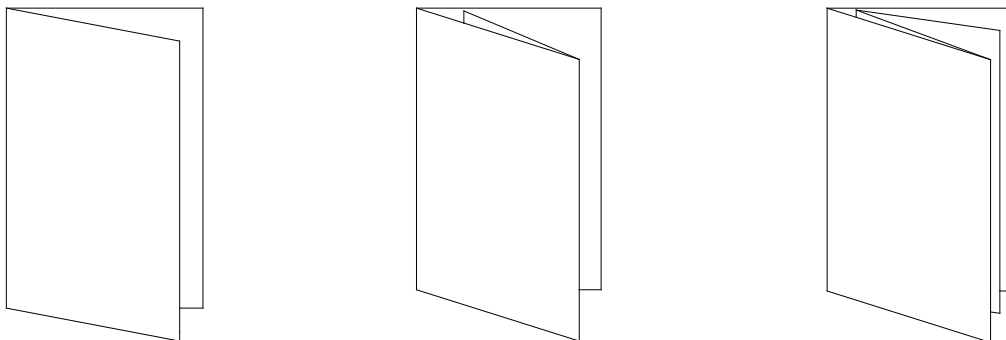
DVD Soft Box - Chapter Leaflet/Inserts				
Europe	DVD	EDS008	Issue 5	October 2022

This specification applies to any booklet or insert to be packed under the booklet clips of the DVD case.



Note: variance must be no greater than 1.0 mm across the batch.

Booklets may also be single sheets or fan folded according to the following diagrams: -



Non-acceptable folds include but are not limited to: Z - folds or Concertina type folds.

Paper Stock

- Type: Wood free art paper coated on both sides. High Gloss finish is not acceptable for automated packing
- Cover Sheet Weight: 115 - 190 gsm
- Inner text pages a minimum 80 gsm
- Single sheet insert (2pp) weight : 115 gsm minimum

Booklet Formats: number of pages and paper grades of DVD booklets acceptable for automated packing (all booklets are packed manually in 7 mm DVD slim cases).

Multiple page booklets can range from 4 to 72 pages dependant on the format and paper grades used

- 4 – 64 pp booklet Paper grades - cover 115 gsm; inner text 80 gsm min.
- 68 – 72 pp booklet Paper grades - cover 130 gsm; inner text 80 gsm min.
- Book maximum thickness is 3mm for a standard single DVD soft box
- Book maximum thickness is 1mm for a slim 7mm single DVD soft box
- A Maximum of 3 booklets can be inserted under clips in a Standard single DVD soft box but the combined thickness of all booklets packed in any one unit must not exceed 3mm (for 7mm slim cases must not exceed 1mm).