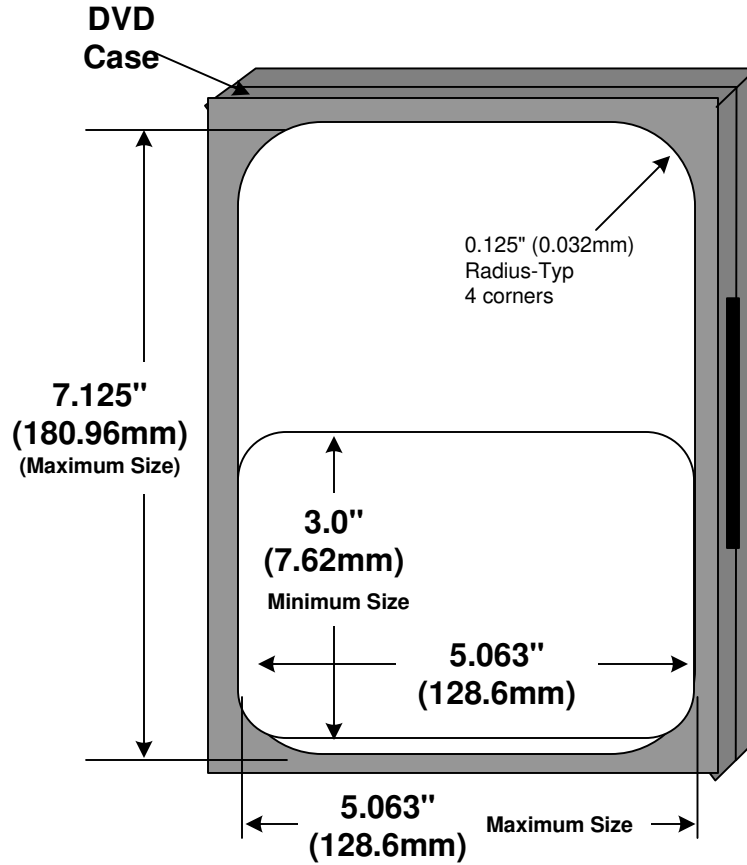


ONSERT (Applies to DVD Case)

Note: Inserts not meeting specifications may result in surcharges and delays in order processing.



Note: Drawing not to Scale

Paper Stock:

- **Type:** #2 or #3 Gloss Stock (coated on both sides)
- **Weight:** 60 Lb. to 80 Lb. Text-Book
100 Lb. Text-Book for single sheet booklet/folder
- Minimum Onsert Thickness: 22pt.
- Finished product must be perfectly flat and free of dirt and paper dust.
- Multiple page booklets may range from 4 to 50 pages depending on the type and thickness of the paper.
- Booklets must be stapled with non-corrosive staples and folded prior to delivery.
- Maximum thickness for a booklet or folder is 1/8".
- **Non Acceptable folds include but not limited to:**
Z-folds or Accordion folds
- **Please contact Vantiva Customer Support if you have any questions or if you would like to review a special insert/onsert.**
- **PLEASE NOTE: ALL ONSERTS ARE CURRENTLY APPLIED MANUALLY AND ADDITIONAL CHARGES WILL BE APPLIED. ALSO NOTE THE SMALLER THE ONSERT, THE MORE COSTLY & MORE REDUCTION IN PKG THROUGHPUT.**
- **Current application methods include: Banding or Gluing.**